



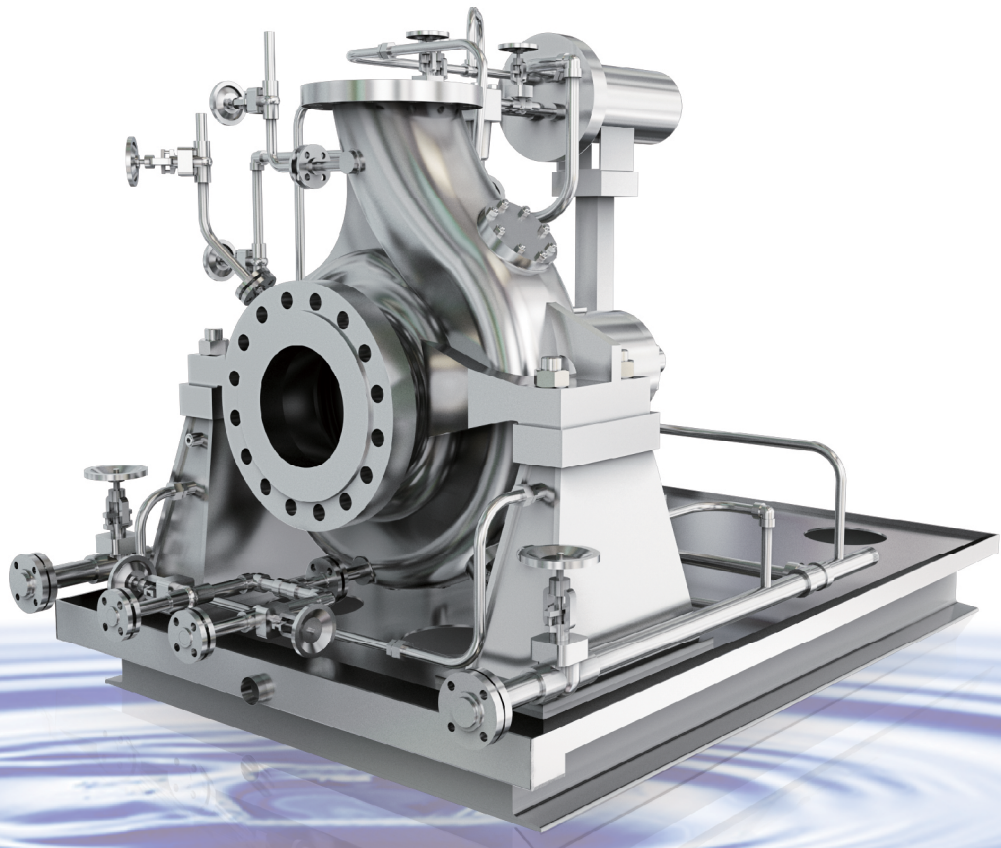
UCW



卧式单级端吸泵

Horizontal Single Stage End Suction Pump

【API 610】



荏原机械淄博有限公司
EBARA MACHINERY ZIBO CO.,LTD.

UCW型泵为卧式、单级、壳体中心线支撑结构。

UCW type pump is a centrifugal pump with horizontal, centerline supported casing, single-stage impeller, end suction.

特征 Features

- ◆ 壳体中心线支撑, 重工位设计
Centerline supported heavy duty design.
- ◆ 转子后拉出结构
Back pull-out rotor.
- ◆ 完全符合API 610规定
Full compliance with API 610 specifications.
- ◆ 所有部件可实现最大程度互换
All components have been designed for maximum parts interchangeability.
- ◆ 低NPSH
Low NPSH performance.

应用领域 Applications



主要参数 Ratings

流量 / Capacities	达4,000m ³ /h / To 4,000m ³ /h
扬程 / Heads	达380m / To 380m
转向 / Rotation	从驱动端看, 叶轮顺时针方向转动 / Clockwise viewed from driven end.
叶轮型式 / Impeller type	闭式 / Enclosed
温度范围 / Temperature ranges	-100°C到450°C / From -100°C to 450°C
法兰 / Flanges	符合ANSI 300级标准法兰对应的工作压力, 也可执行更高标准 / Compliance with the pressure ratings of ANSI Class 300 flanges as a standard. Higher pressure ratings are available.
进出口方式(标准结构) / Nozzles	端进-顶出 / End suction-Top discharge
轴封型式 / Shaft sealing	机械密封或填料密封 / Mechanical seal or gland packing

材质 Materials

部件名称 / Part name	材质 Materials JIS/ASTM-AISI 铬钢/12%Cr, Steel
泵体 / Casing	A487 CA6NM/ZG15Cr13/ZG15Cr1Mo/ZG230-450
叶轮 / Impeller	A487 CA6NM/ZG15Cr13/304
叶轮耐磨环 / Impeller Wear Ring	20Cr13
轴 / Shaft	20Cr13
壳体耐磨环 / Case Wear ring	30Cr13

说明: 根据需要也可选用其他材料。

Note: Supply of other materials on request.

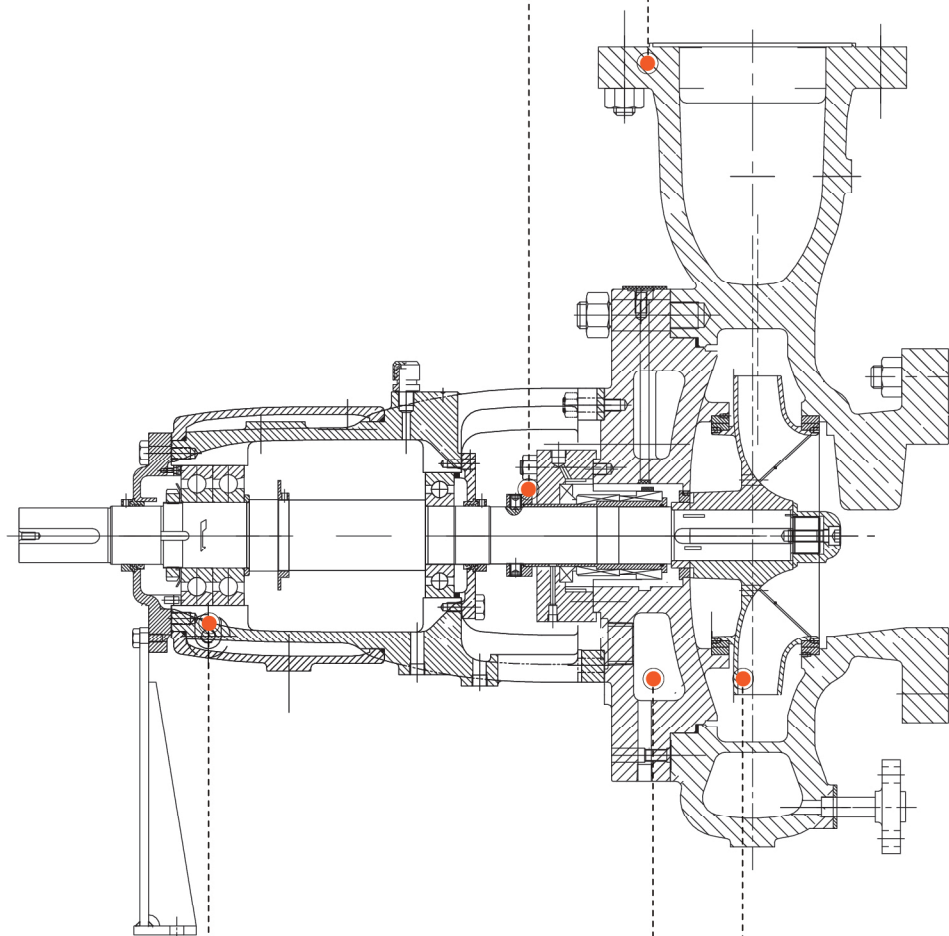
结构 Construction

轴封: 可选配不同公司制造的机械密封或填料密封。

Shaft Sealing: Mechanical seal or soft packing.

泵体: 蜗壳式泵体设计, 在长期磨损后仍保持高效率。吐出口向上, 可以自动排气。

Casing: The volute type casing is designed to maintain high efficiency over long periods of wear. The upward outlet can automatically exhaust air.



轴承: 轴承箱体安装单列径向球轴承和双列背对背推力球轴承。稀油飞溅方式润滑, 轴承箱体的密封可在各种气候条件下运行。

Bearings: Bearing housing is provided with single-row radial and dual single row; back to back, angular contact thrust bearings. Standard lubrication system is an integral splash type with an oil flinger. Housing seals permit all weather operation.

叶轮: 闭式叶轮设计, 保证最高效率、最低NPSH。平衡孔平衡轴方向, 可选配诱导轮。

Impeller: Enclosed impeller is designed for maximum efficiency and minimum required NPSH over a wide range of capacities. Balance holes minimize axial thrust force. An inducer is available as an option.

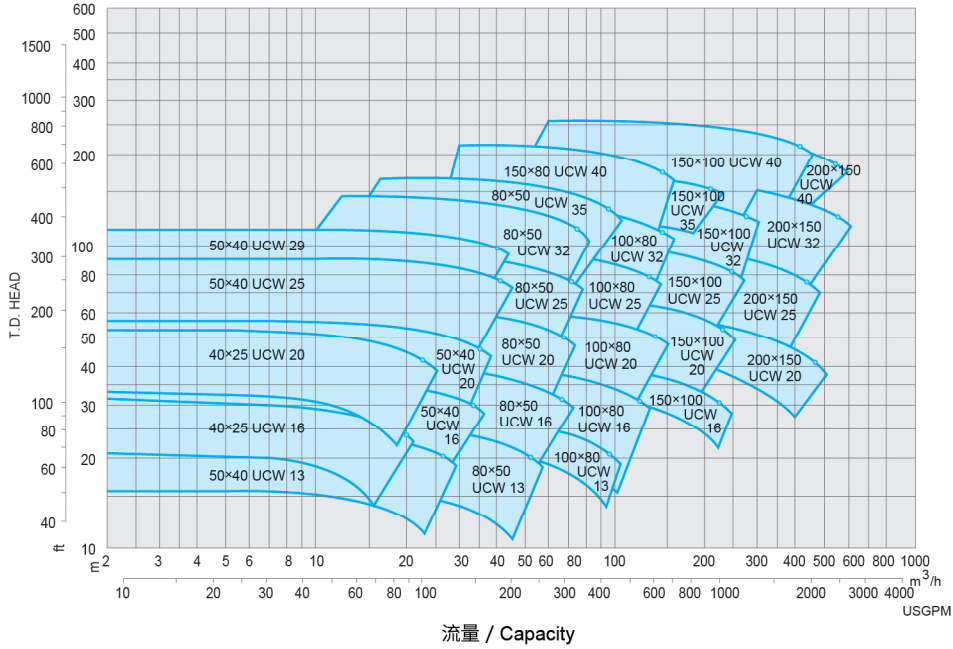
水冷式密封室: 有分体和整体的冷却室。

Water Cooled Stuffing Box: A separate or integral type of cooling jacket is available.

UCW型谱

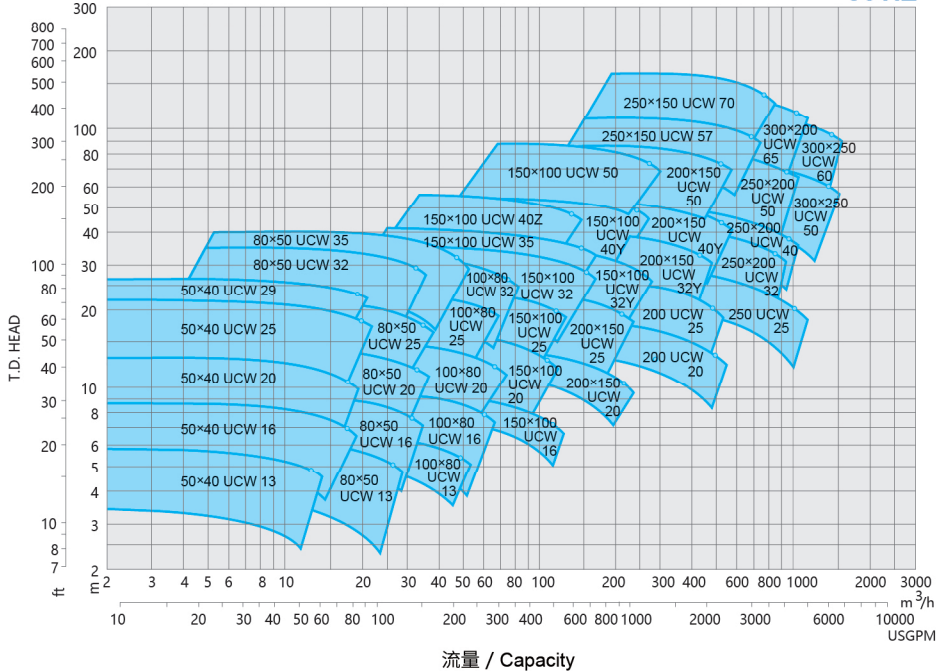
2950min⁻¹

50 HZ



1450min⁻¹

50 HZ



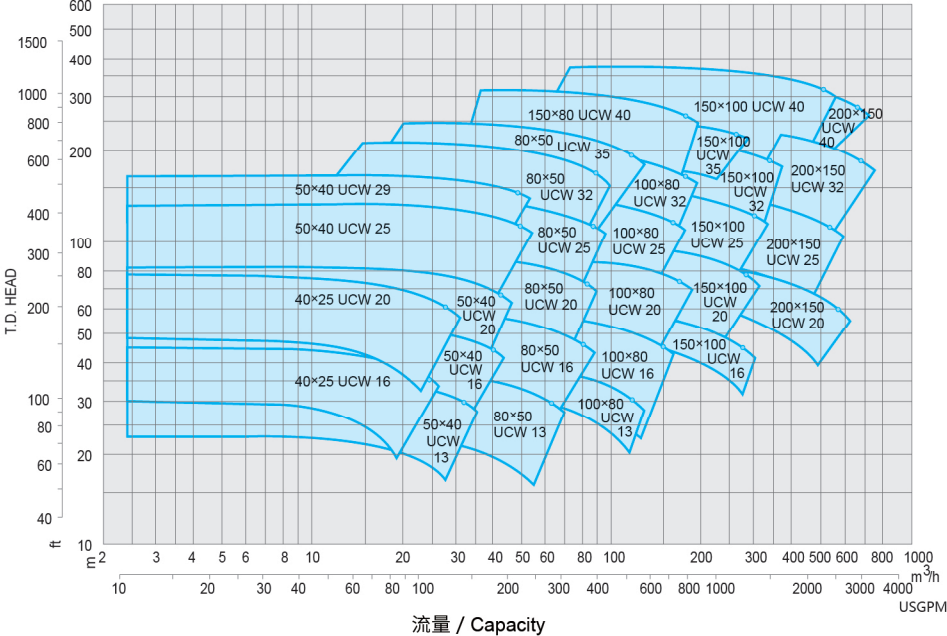
本型谱用于泵型号初步选取。最终泵型号确定还需参考性能曲线。

“O”代表最大直径叶轮时的最高效率点。

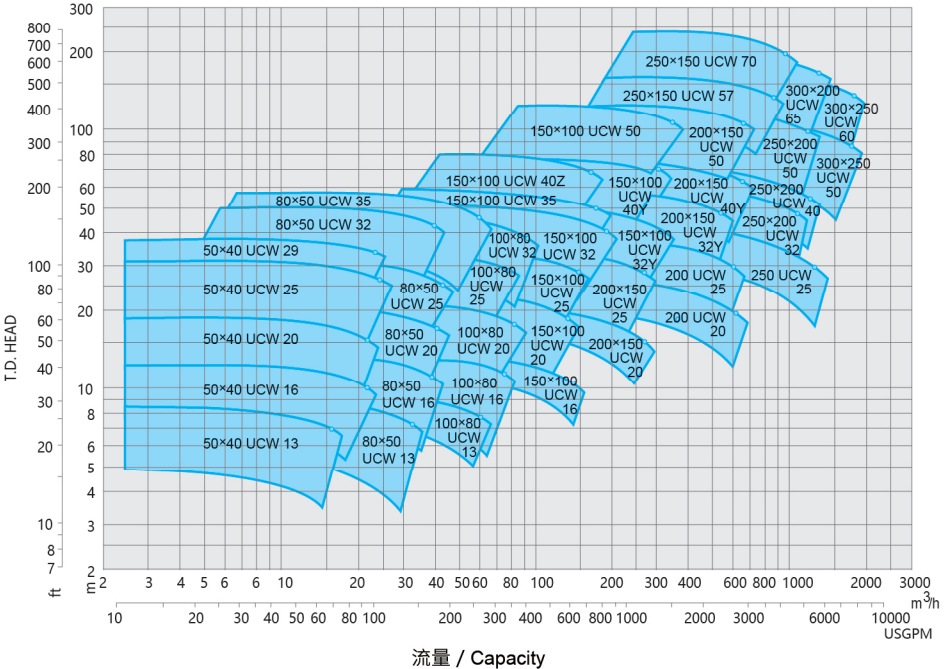
These selection charts are prepared for preliminary selection. Refer to individual performance curves for final selection.
“O” denotes B.E.P. of the performance with an impeller of maximum diameter.

3550min⁻¹

60 HZ



1750min⁻¹



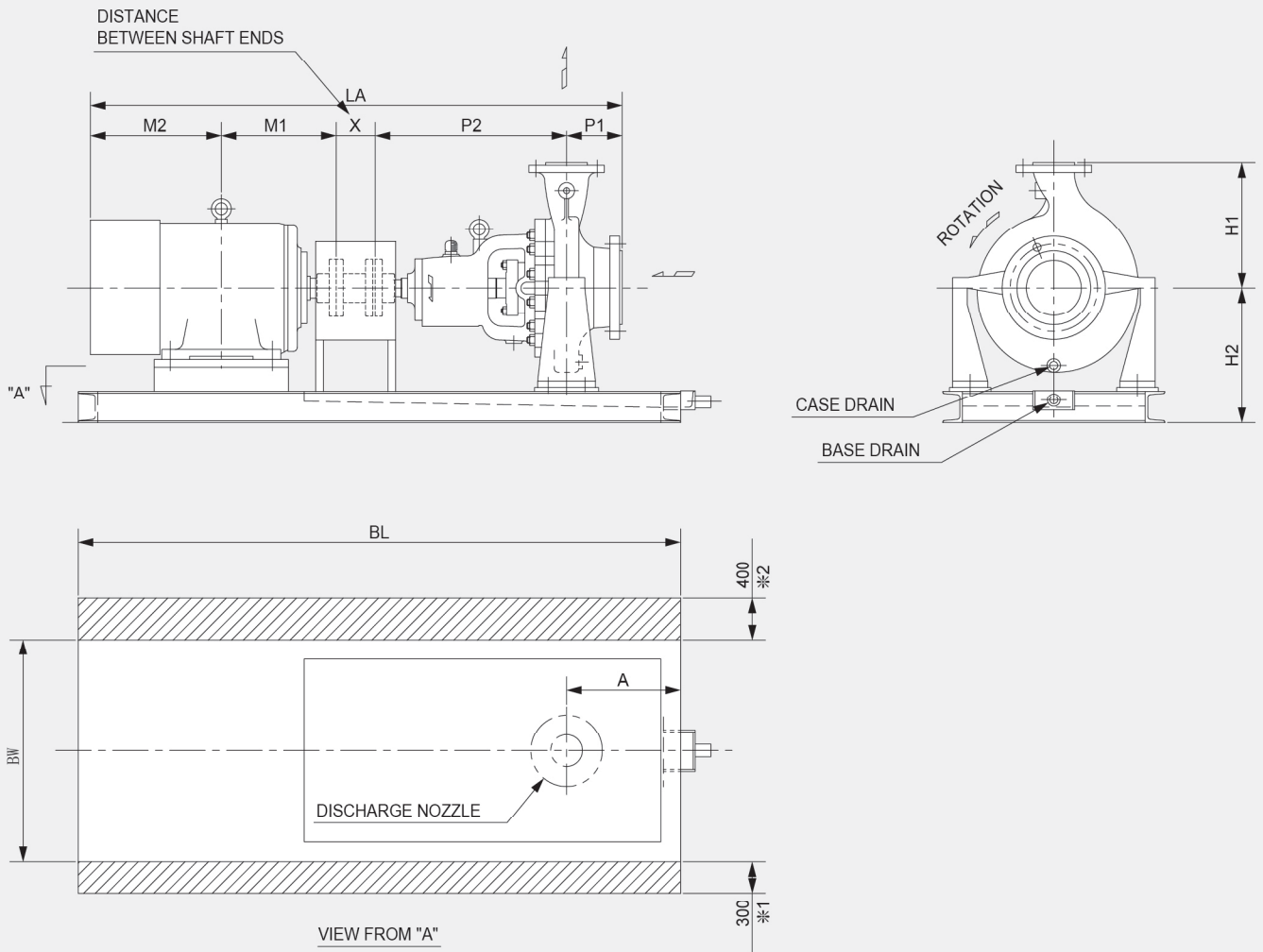
本型谱用于泵型号初步选取。最终泵型号确定还需参考性能曲线。

“O”代表最大直径叶轮时的最高效率点。

These selection charts are prepared for preliminary selection. Refer to individual performance curves for final selection.

“O” denotes B.E.P. of the performance with an impeller of maximum diameter.

外型尺寸 Dimensions



端进-顶出结构 End-Top

PUMP MODEL	PUMP AND MOTOR (mm)									BASE (mm)		APPROX WEIGHT (kg)	
	P1	P2	H1	H2	M1	M2	LA	X	A	BL	BW	PUMP	BASE
40×25UCW16	120	610	240	420	370.5	531.5	1772	140	190	2030	600	135	273
40×25UCW20	120	610	240	420	370.5	531.5	1772	140	190	2030	600	135	273
50×40UCW13,13N	135	610	240	420	370.5	531.5	1787	140	190	2040	600	139	274
50×40UCW16,16N	135	610	240	420	370.5	531.5	1787	140	190	2040	600	141	274
50×40UCW20	135	610	240	420	395.5	600.5	1881	140	200	2140	600	141	285
50×40UCW25,25N	140	680	275	485	452.5	600.5	2013	140	200	2270	700	210	416
50×40UCW29,29N	145	680	290	485	452.5	600.5	2018	140	200	2270	700	222	414
80×50UCW13	140	610	240	420	370.5	574.5	1835	140	190	2090	600	139	281
80×50UCW16,16N	140	610	240	420	370.5	574.5	1835	140	190	2090	600	139	281
80×50UCW20,20N	150	610	240	420	395.5	600.5	1896	140	200	2150	600	147	286
80×50UCW25,25N	145	680	270	485	452.5	600.5	2018	140	200	2270	700	214	416
80×50UCW32,32N	170	760	310	505	509.5	545.5	2125	140	240	2380	740	345	442
80×50UCW35	180	760	340	525	554.5	930.5	2565	140	240	2820	760	420	539
100×80UCW13	170	680	260	460	402	600.5	1992.5	140	190	2250	600	176	306
100×80UCW16	170	680	260	460	402	600.5	1992.5	140	190	2250	600	177	306
100×80UCW20,20N	165	680	260	485	414.5	814.5	2214	140	190	2470	620	182	423
100×80UCW25,25N	165	760	300	485	509.5	545.5	2120	140	210	2380	700	281	427
100×80UCW32	170	760	410	565	554.5	930.5	2555	140	260	2805	860	417	615
150×80UCW40	185	880	470	650	554.5	930.5	2730	180	280	3000	980	623	882
150×80UCW40S,40U	205	880	400	590	554.5	930.5	2730	180	270	3000	860	620	780
150×100UCW16	190	680	295	525	452.5	930.5	2393	140	240	2660	660	224	511
150×100UCW20	185	760	340	525	554.5	930.5	2570	140	220	2840	720	319	534
150×100UCW25,25N	185	760	340	525	554.5	930.5	2570	140	220	2840	720	363	534
150×100UCW32,32N	195	760	450	650	554.5	930.5	2620	180	300	2890	980	562	902
150×100UCW32Y,32YN	200	760	370	590	452.5	930.5	2523	180	270	2790	870	600	776
150×100UCW35	195	760	450	650	554.5	930.5	2620	180	300	2890	980	590	902
150×100UCW40	200	880	575	690	554.5	930.5	2765	200	310	3030	1120	774	1003
150×100UCW40Y,40YN	205	760	420	610	539.5	575	2259.5	180	270	2530	960	696	727
150×100UCW40Z	200	760	370	590	452.5	930.5	2523	180	270	2790	870	700	776
150×100UCW50	215	880	460	650	614.5	620.5	2510	180	280	2780	990	1090	823
200 UCW20	250	795	430	610	482.5	495	2222.5	200	270	2500	930	700	710
200 UCW25	220	795	480	630	514	515	2224	180	280	2500	970	765	758
200×150UCW20	220	775	380	570	554.5	930.5	2680	200	270	2950	810	404	785
200×150UCW25	220	790	450	590	554.5	930.5	2695	200	270	2970	910	512	856
200×150UCW32	220	880	450	590	554.5	930.5	2785	200	270	3060	910	559	842
200×150UCW32Y	230	790	480	650	614.5	620.5	2435	180	290	2710	1000	876	865
200×150UCW40	230	880	525	690	554.5	930.5	2795	200	300	3070	1120	834	1023
200×150UCW40Y,40N	230	790	480	650	614.5	620.5	2435	180	290	2710	1000	881	865
200×150UCW50,50N	245	980	580	690	614.5	620.5	2640	180	330	2910	1200	1510	1025
250 UCW25	280	815	580	690	614.5	620.5	2530	200	320	2830	1170	860	1056
250×200UCW32	255	880	580	690	614.5	620.5	2570	200	320	2870	1140	1040	1011
250×200UCW40	255	880	580	690	614.5	620.5	2570	200	320	2870	1140	1050	1011
250×200UCW50,50N	250	980	650	730	589	575	2594	200	360	2900	1240	790	1042
250×150UCW57	250	1140	650	780	741	1078	3489	280	370	3790	1305	1900	1414
250×150UCW70	270	1230	780	880	874	1271	3945	300	430	4250	1475	2100	1747
300×250UCW50	300	1165	750	820	874	1271	3890	280	360	4190	1335	2100	1626
300×250UCW60	300	1230	750	840	1095	1593	4510	300	410	4810	1435	2300	1910
300×200UCW65	280	1220	750	880	914	1330	4044	300	410	4350	1455	2200	1758

Note: Dimensions are in mm and for guidance only.

Certified drawings will be provided in all cases of actual construction. Motor dimensions are for a given IEC frame.

Base-plates are sized per our standard, not per the standard base plates in Appendix H of API 610.

In case of inducer and / or a fan cooled bearing housing required, dimensions shall be different with those indicated in the above chart.

Looking ahead,
going beyond expectations
Ahead  *Beyond*



荏原机械淄博有限公司
EBARA MACHINERY ZIBO CO.,LTD.

山东省淄博市高新区尊贤路517号
TEL: 0533-3919586
FAX: 0533-3919600
邮编: 255086
<https://www.ebarazb.com>



EMZ-UCW-01
2020年8月(第1版)